

Configuration	DP (psf)	WIDTH (in)	HEIGHT (in)
X	+/- 40.0	52	36
XX	+/- 35.0	96	36
XXX	+/- 35.0	108	36
0/X w/ 3'0 High Sash	+/- 50.0	48	96

- NOTES:
- INSTALLATIONS SHOWN ON THIS DRAWING HAVE BEEN VERIFIED AS THE AS-TESTED INSTALLATION FOR THE PERFORMANCE LEVEL SHOWN. VERIFIED PRODUCTS ARE LISTED IN TABLE 1. THIS DRAWING APPLIES ONLY TO THOSE PRODUCTS.
 - INSTALLATION ANCHORS SHALL BE #8 SCREWS OF SUFFICIENT LENGTH TO ACHIEVE MINIMUM EMBEDMENT OF 1.5" INTO WOOD FRAMING MEMBER. SCREWS SHALL SATISFY NATIONAL DESIGN SPECIFICATION FOR MATERIAL PROPERTIES AND DIMENSIONS. PER CURRENT NDS, EDGE DISTANCES SHALL BE SUFFICIENT TO PREVENT SPLITTING.
 - WOOD FRAMING SHALL BE SPRUCE-PINE-FIR (G=0.42) OR DENSER.
 - INSTALLATION ANCHORS ARE SHOWN GOING THROUGH EXTERIOR FINISH. ANCHORS MAY BE INSTALLED DIRECTLY INTO WOOD FRAMING MEMBER WITH 1.5" MINIMUM EMBEDMENT STILL REQUIRED.
 - ANCHORS MUST BE INSTALLED WITHIN 1/2" OF THE INDICATED LOCATIONS. SHIM AS NEEDED AT EACH ANCHOR LOCATION. SPACES GREATER THAN 1/16" REQUIRE THE USE OF LOAD-BEARING SHIMS. MAX SHIM SPACE IS 1/4".
 - INSTALLATION ANCHORS SHALL BE LOCATED 2" FROM CORNERS AND 8" MAXIMUM ON CENTER SPACING FOR AWNING ONLY UNITS. FIXED OVER AWNING UNITS SHALL USE 4-3/8" MAXIMUM SPACING, FULL PERIMETER.
 - THESE INSTRUCTIONS ADDRESS STRUCTURAL REQUIREMENTS ONLY. WINDOWS SHALL BE INSTALLED PER ASTM E2112 OR FMA/AAMA 100.
 - GLAZING TYPE, GLASS TYPE, AND GLASS THICKNESS ARE ESTABLISHED BY THE CERTIFICATION AND SHALL SATISFY ASTM E1300. GLAZING TYPE SHALL BE INSULATING GLASS.
 - PRODUCTS LISTED IN TABLE 1 ARE NOT IMPACT RESISTANT. IF USED IN WIND-BORNE DEBRIS REGIONS, APPROVED PROTECTION DEVICES ARE REQUIRED.
 - PRODUCT OR INSTALLATION IS NOT APPROVED FOR HIGH VELOCITY HURRICANE ZONE (HVHZ).

THIS DRAWING IS PROPRIETARY AND CONFIDENTIAL TO ATRIUM CORPORATION AND SHALL NOT BE REPRODUCED, COPIED, OR DISSEMINATED WITHOUT THE EXPRESSED WRITTEN PERMISSION OF ATRIUM CORPORATION



Title: Atrium Series 700 Awning Fin Installation Drawing

No.	Date	Revision Description	By	ECN #
1	02.03.15	CHANGED O.C. SPACING FROM 12" TO 8"	SIM	---
2	06.02.15	5TH ED. FBC UPDATES	BB	---

Material (Type-Alloy-Temper):	Est. Area (in ²): NA	Tolerances: Dim = ±0.03
---	Est. Weight (lb/ft): NA	Wall = ±0.005
		Angle = ±0.5°
Drawn By: CRA	Approved By: ---	Date: 3-28-2011
ECN# (Initial Issue): 2010-1856	File Name: ADW-00 700 AW ASSY	Scale: 1:2
		Sheet Size: ANSI B

Sheet 3/4

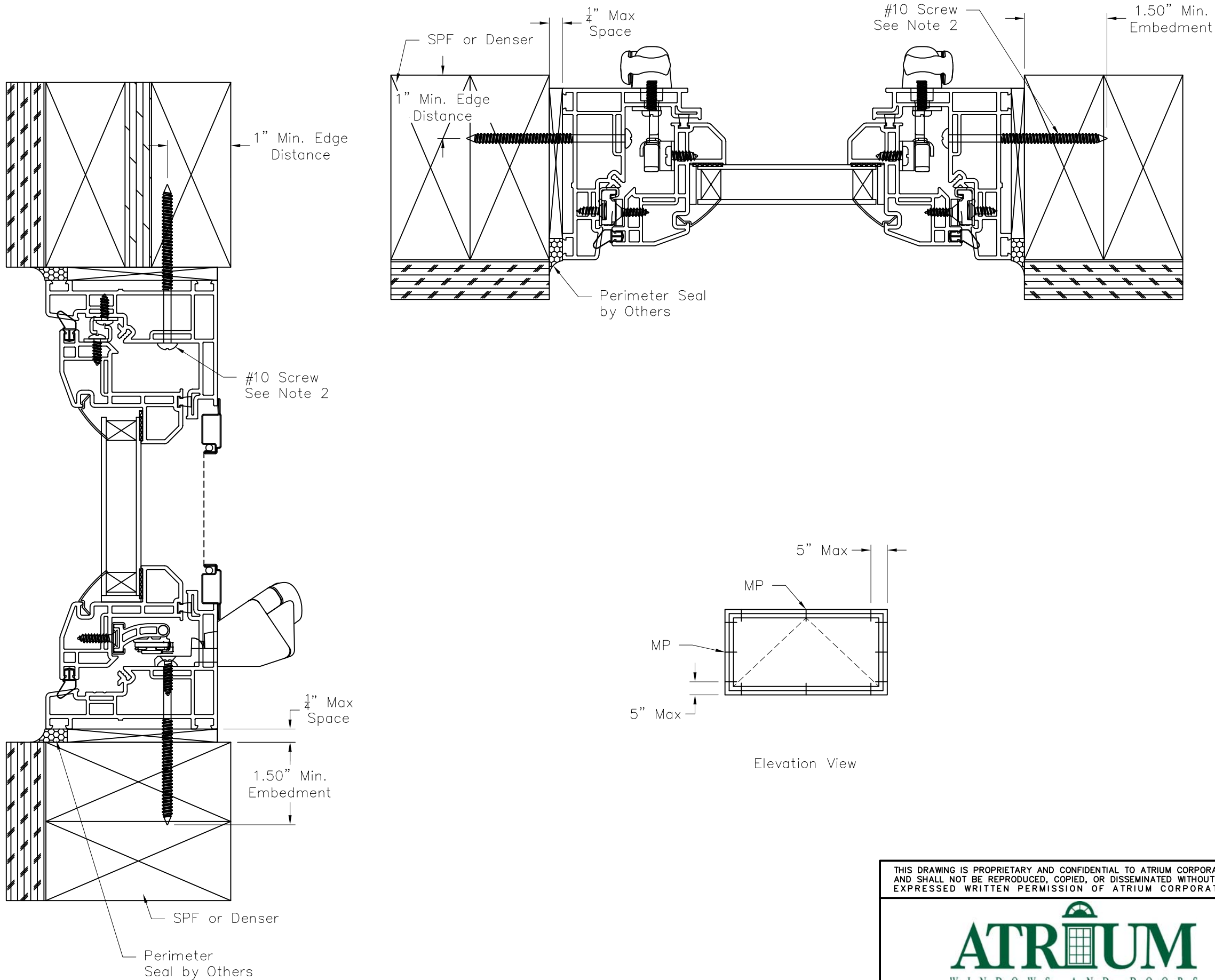


Table 1 – Verified Installations			
Configuration	DP (psf)	WIDTH (in)	HEIGHT (in)
X	+/- 40.0	52	36

NOTES:

- INSTALLATIONS SHOWN ON THIS DRAWING HAVE BEEN VERIFIED AS THE AS-TESTED INSTALLATION FOR THE PERFORMANCE LEVEL SHOWN. VERIFIED PRODUCTS ARE LISTED IN TABLE 1. THIS DRAWING APPLIES ONLY TO THOSE PRODUCTS.
- INSTALLATION ANCHORS SHALL BE #10 SCREWS OF SUFFICIENT LENGTH TO ACHIEVE MINIMUM EMBEDMENT OF 1.5" INTO WOOD FRAMING MEMBER. SCREWS SHALL SATISFY NATIONAL DESIGN SPECIFICATION FOR MATERIAL PROPERTIES AND DIMENSIONS. PER CURRENT NDS, EDGE DISTANCES SHALL BE SUFFICIENT TO PREVENT SPLITTING.
- WOOD FRAMING SHALL BE SPRUCE-PINE-FIR (G=0.42) OR DENSER.
- ANCHORS SHALL BE LOCATED WITHIN 1/2" OF THE INDICATED LOCATIONS. SHIM AT EACH ANCHOR AS NECESSARY. SPACES GREATER THAN 1/16" REQUIRE THE USE OF LOAD BEARING SHIMS. MAX SHIM SPACE IS 1/4".
- INSTALLATION ANCHORS SHALL BE LOCATED THROUGH THE HEAD, SILL AND JAMBS 5" FROM CORNERS AND AT THE MIDPOINTS (MP).
- THESE INSTRUCTIONS ADDRESS STRUCTURAL REQUIREMENTS ONLY. WINDOWS SHALL BE INSTALLED PER ASTM E2112 OR FMA/AAMA 100.
- SMALLER WINDOWS OF THE SAME CONSTRUCTION AND EQUAL OR LESSER DESIGN PRESSURES ARE COVERED BY THIS DRAWING.
- GLAZING TYPE, GLASS TYPE, AND GLASS THICKNESS ARE ESTABLISHED BY THE CERTIFICATION AND SHALL SATISFY ASTM E1300. GLAZING TYPE SHALL BE INSULATING GLASS.
- PRODUCTS LISTED IN TABLE 1 ARE NOT IMPACT RESISTANT. IF USED IN WIND-BORNE DEBRIS REGIONS, APPROVED PROTECTION DEVICES ARE REQUIRED.
- PRODUCT OR INSTALLATION IS NOT APPROVED FOR HIGH VELOCITY HURRICANE ZONE (HVHZ).

THIS DRAWING IS PROPRIETARY AND CONFIDENTIAL TO ATRIUM CORPORATION AND SHALL NOT BE REPRODUCED, COPIED, OR DISSEMINATED WITHOUT THE EXPRESSED WRITTEN PERMISSION OF ATRIUM CORPORATION



Title: Atrium Series 700 Awning Finless Installation Drawing

No.	Date	Revision Description	By	ECN #
A	06.02.15	5TH ED. FBC UPDATES	BB	---

Material (Type-Alloy-Temper):	Est. Area (in ²): NA	Tolerances: Dim = ±0.03
---	Est. Weight (lb/ft): NA	Wall = ±0.005
		Angle = ±0.5°

Drawn By: CRA	Approved By: ---	Date: 3-28-2011	Scale: 1:2	Sheet Size: ANSI B
ECN# (Initial Issue): 2010-1856	File Name: ADW-00 700 AW ASSY			Sheet 4/4