

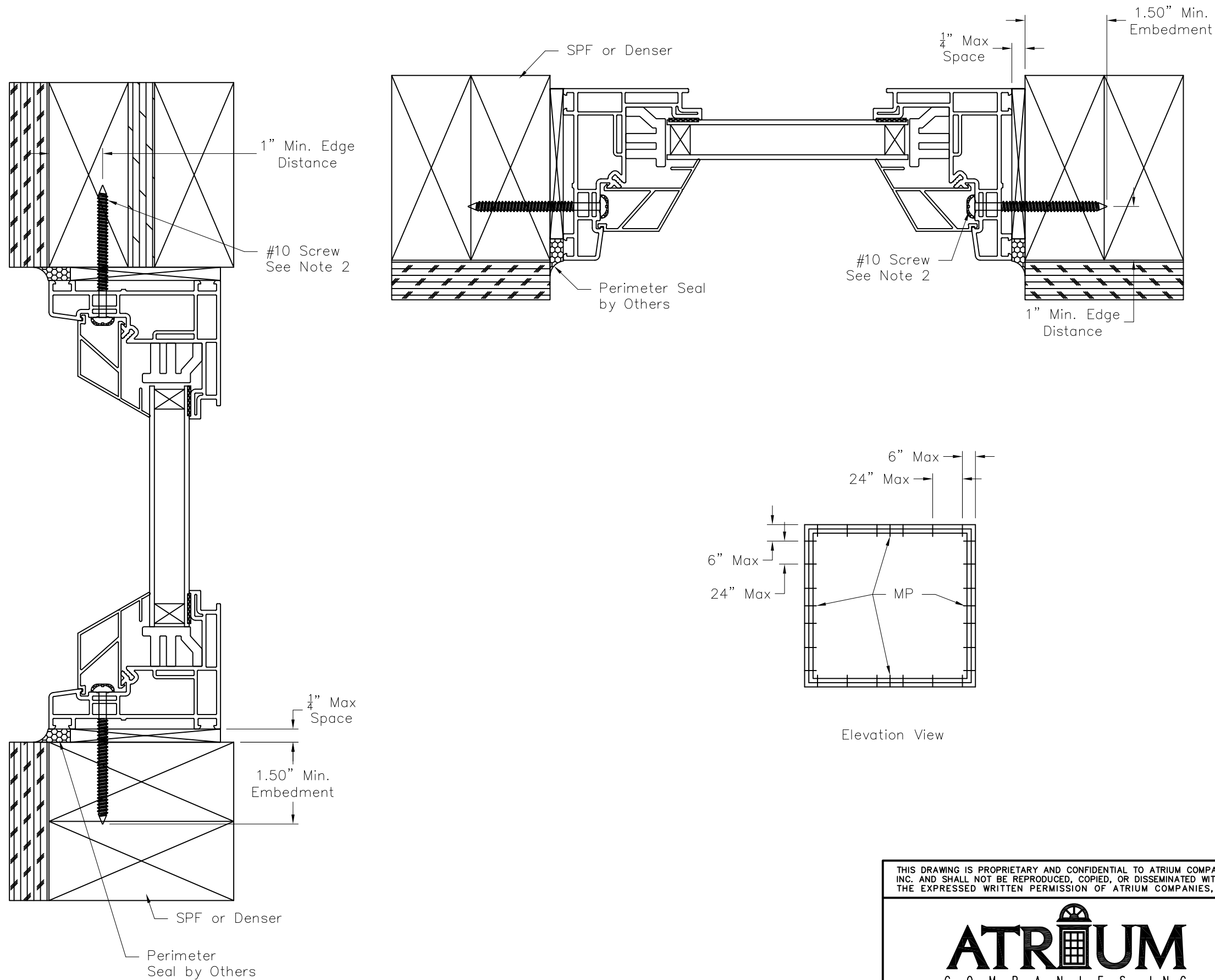
Table 1 – Verified Installations			
Configuration	DP (psf)	WIDTH (in)	HEIGHT (in)
0	+/- 55.0	72	72

- NOTES:
- INSTALLATIONS SHOWN ON THIS DRAWING HAVE BEEN VERIFIED AS THE AS-TESTED INSTALLATION FOR THE PERFORMANCE LEVEL SHOWN. VERIFIED PRODUCTS ARE LISTED IN TABLE 1. THIS DRAWING APPLIES ONLY TO THOSE PRODUCTS.
 - INSTALLATION ANCHORS SHALL BE #8 SCREWS OF SUFFICIENT LENGTH TO ACHIEVE MINIMUM EMBEDMENT OF 1.5" INTO WOOD FRAMING MEMBER. SCREWS SHALL SATISFY NATIONAL DESIGN SPECIFICATION FOR MATERIAL PROPERTIES AND DIMENSIONS. PER NDS-2005 11.1.4.7, EDGE DISTANCES SHALL BE SUFFICIENT TO PREVENT SPLITTING.
 - WOOD FRAMING SHALL BE SPRUCE-PINE-FIR (G=0.42) OR DENSER.
 - INSTALLATION ANCHORS ARE SHOWN GOING THROUGH EXTERIOR FINISH. ANCHORS MAY BE INSTALLED DIRECTLY INTO WOOD FRAMING MEMBER WITH 1.5" MINIMUM EMBEDMENT STILL REQUIRED.
 - ANCHORS MUST BE INSTALLED WITHIN 1/2" OF THE INDICATED LOCATIONS. SHIM AS NEEDED AT EACH ANCHOR LOCATION. SPACES GREATER THAN 1/16" REQUIRE THE USE OF LOAD-BEARING SHIMS. MAX SHIM SPACE IS 1/4".
 - INSTALLATION ANCHORS SHALL BE LOCATED 5" FROM CORNERS AND 6" MAXIMUM ON CENTER SPACING.
 - THESE INSTRUCTIONS ADDRESS STRUCTURAL REQUIREMENTS ONLY. WINDOWS SHALL BE INSTALLED PER ASTM E2112 OR FMA/AAMA 100.
 - GLAZING TYPE, GLASS TYPE, AND GLASS THICKNESS ARE ESTABLISHED BY THE CERTIFICATION AND SHALL SATISFY ASTM E1300. GLAZING TYPE SHALL BE INSULATING GLASS.
 - PRODUCTS LISTED IN TABLE 1 ARE NOT IMPACT RESISTANT. IF USED IN WIND-BORNE DEBRIS REGIONS, APPROVED PROTECTION DEVICES ARE REQUIRED.
 - PRODUCT OR INSTALLATION IS NOT APPROVED FOR HIGH VELOCITY HURRICANE ZONE (HVHZ).

THIS DRAWING IS PROPRIETARY AND CONFIDENTIAL TO ATRIUM COMPANIES, INC. AND SHALL NOT BE REPRODUCED, COPIED, OR DISSEMINATED WITHOUT THE EXPRESSED WRITTEN PERMISSION OF ATRIUM COMPANIES, INC.

Title: Atrium Series 700 Direct Set Picture Window Fin Installation Drawing

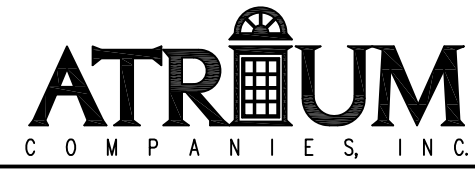
No.	Date	Revision Description	By	ECN #
--	---	----	---	---
Material (Type-Alloy-Temper):		Est. Area (in ²): NA	Tolerances: Dim = ±0.03	
-----		Est. Weight (lb/ft): NA	Wall = ±0.005	
			Angle = ±0.5°	
Drawn By:	Approved By:	Date:	Scale:	Sheet Size:
CRA	---	3-28-2011	1:2	ANSI B
ECN# (Initial Issue):	File Name:			
2010-1856	ADW-00 700 PW Direct Set ASSY	Sheet 2/3		



Configuration	DP (psf)	WIDTH (in)	HEIGHT (in)
0	+/- 55.0	72	72

- NOTES:
- INSTALLATIONS SHOWN ON THIS DRAWING HAVE BEEN VERIFIED AS THE AS-TESTED INSTALLATION FOR THE PERFORMANCE LEVEL SHOWN. VERIFIED PRODUCTS ARE LISTED IN TABLE 1. THIS DRAWING APPLIES ONLY TO THOSE PRODUCTS.
 - INSTALLATION ANCHORS SHALL BE #10 SCREWS OF SUFFICIENT LENGTH TO ACHIEVE MINIMUM EMBEDMENT OF 1.5" INTO WOOD FRAMING MEMBER. SCREWS SHALL SATISFY NATIONAL DESIGN SPECIFICATION FOR MATERIAL PROPERTIES AND DIMENSIONS. PER NDS-2005 11.1.4.7, EDGE DISTANCES SHALL BE SUFFICIENT TO PREVENT SPLITTING.
 - WOOD FRAMING SHALL BE SPRUCE-PINE-FIR (G=0.42) OR DENSER.
 - ANCHORS SHALL BE LOCATED WITHIN 1/2" OF THE INDICATED LOCATIONS. SHIM AT EACH ANCHOR AS NECESSARY. SPACES GREATER THAN 1/16" REQUIRE THE USE OF LOAD BEARING SHIMS. MAX SHIM SPACE IS 1/4".
 - INSTALLATION ANCHORS SHALL BE LOCATED 6" FROM CORNERS AND 24" MAXIMUM ON CENTER SPACING AND AT THE MIDPOINT OF EACH SPAN. SEALANT MUST BE APPLIED TO THE HEAD OF EACH ANCHOR.
 - THESE INSTRUCTIONS ADDRESS STRUCTURAL REQUIREMENTS ONLY. WINDOWS SHALL BE INSTALLED PER ASTM E2112 OR FMA/AAMA 100.
 - SMALLER WINDOWS OF THE SAME CONSTRUCTION AND EQUAL OR LESSER DESIGN PRESSURES ARE COVERED BY THIS DRAWING.
 - GLAZING TYPE, GLASS TYPE, AND GLASS THICKNESS ARE ESTABLISHED BY THE CERTIFICATION AND SHALL SATISFY ASTM E1300. GLAZING TYPE SHALL BE INSULATING GLASS.
 - PRODUCTS LISTED IN TABLE 1 ARE NOT IMPACT RESISTANT. IF USED IN WIND-BORNE DEBRIS REGIONS, APPROVED PROTECTION DEVICES ARE REQUIRED.
 - PRODUCT OR INSTALLATION IS NOT APPROVED FOR HIGH VELOCITY HURRICANE ZONE (HVHZ).

THIS DRAWING IS PROPRIETARY AND CONFIDENTIAL TO ATRIUM COMPANIES, INC. AND SHALL NOT BE REPRODUCED, COPIED, OR DISSEMINATED WITHOUT THE EXPRESSED WRITTEN PERMISSION OF ATRIUM COMPANIES, INC.



Title: Atrium Series 700 Direct Set Picture Window Finless Installation Drawing

No.	Date	Revision Description	By	ECN #
--	---	----	---	---
Material (Type-Alloy-Temper):		Est. Area (in ²): NA	Tolerances: Dim = ±0.03	
-----		Est. Weight (lb/ft): NA	Wall = ±0.005	
			Angle = ±0.5°	
Drawn By:	Approved By:	Date:	Scale:	Sheet Size:
CRA	---	3-28-2011	1:2	ANSI B
ECN# (Initial Issue):	File Name:			
2010-1856	ADW-00 700 PW Direct Set ASSY	Sheet 3/3		