

# Reversing Panel Instructions Patio Door

---

## 2-Panel Door



[reliabil.atriumwindows.com](http://reliabil.atriumwindows.com)

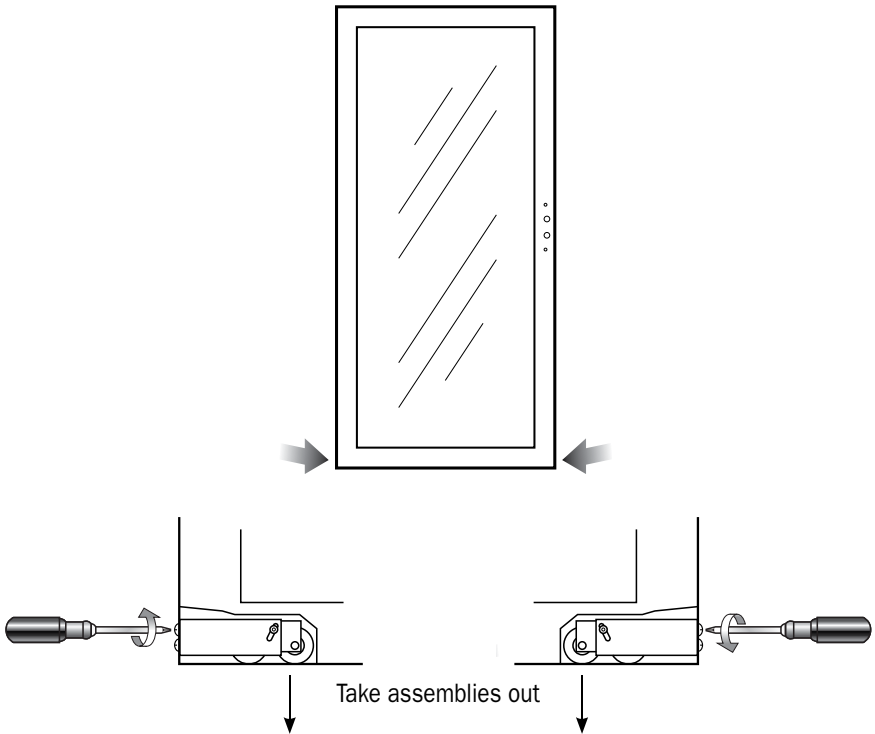
# Installation Instructions

---

## Step 1

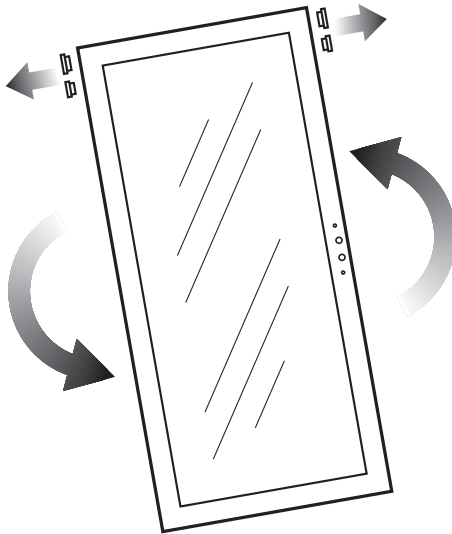
**Remove roller assemblies from bottom of moving door panel by removing the upper screws.**

Remove screw and roller wheel assemblies from both sides of door panel.



Step 2

**Remove the screw covers from the top of the panel and rotate the panel.**

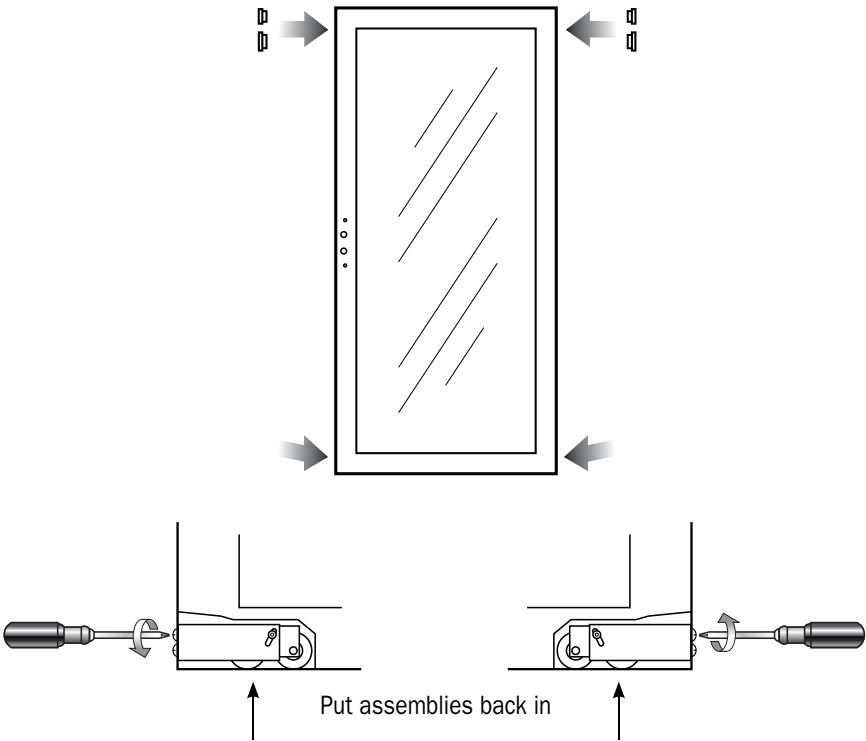


# Installation Instructions

---

## Step 3

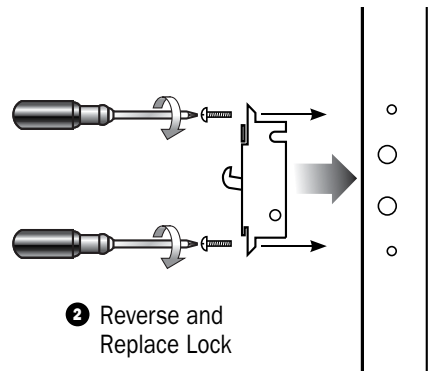
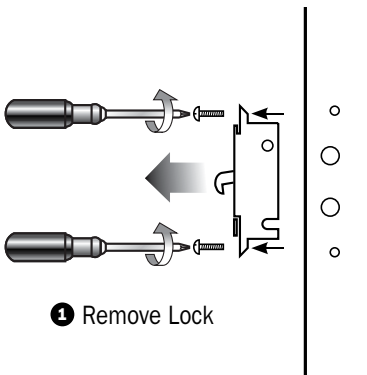
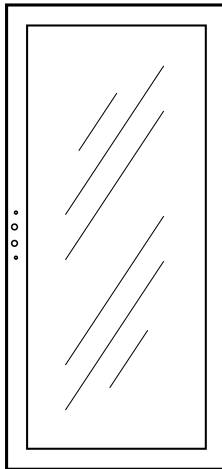
**Replace the roller assemblies in the “new” bottom of the door panel and put screw covers into top of door panel.**



Step 4

**Reverse the mortise lock so that the hook is facing up.**

NOTE: Be certain to hold onto the hook while removing the mortise lock to prevent it from falling into the moving panel.



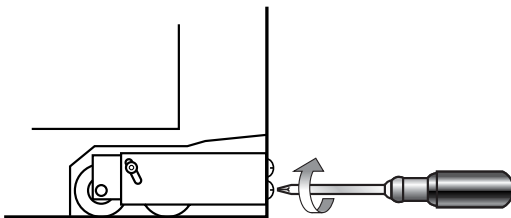
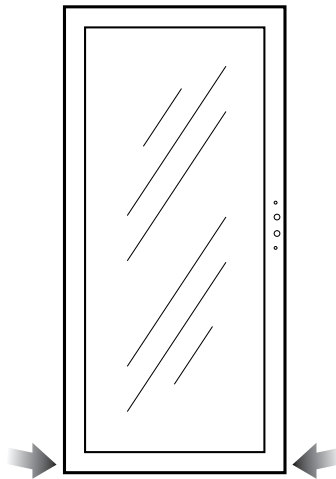
# Installation Instructions

---

## Step 5

### **Retract rollers on moving panel.**

Turn lower screws clockwise to raise rollers to prevent damage during installation.

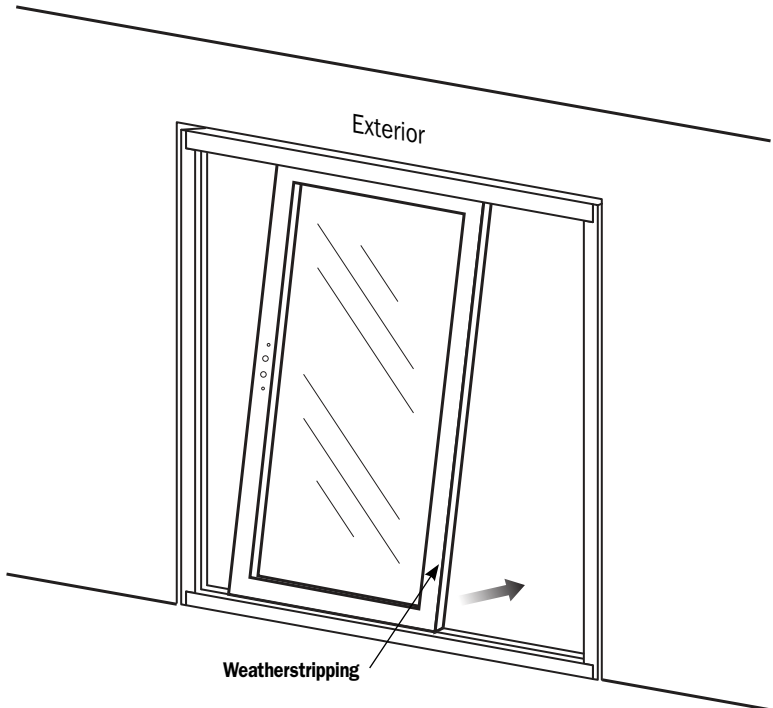


## Step 6

### **Install moving panel from the exterior.**

Place top of moving panel into interior track, then gently set bottom of panel in place in the interior track.

NOTE: Be sure that the weatherstripping on the vertical interlock faces the exterior.



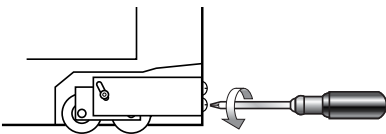
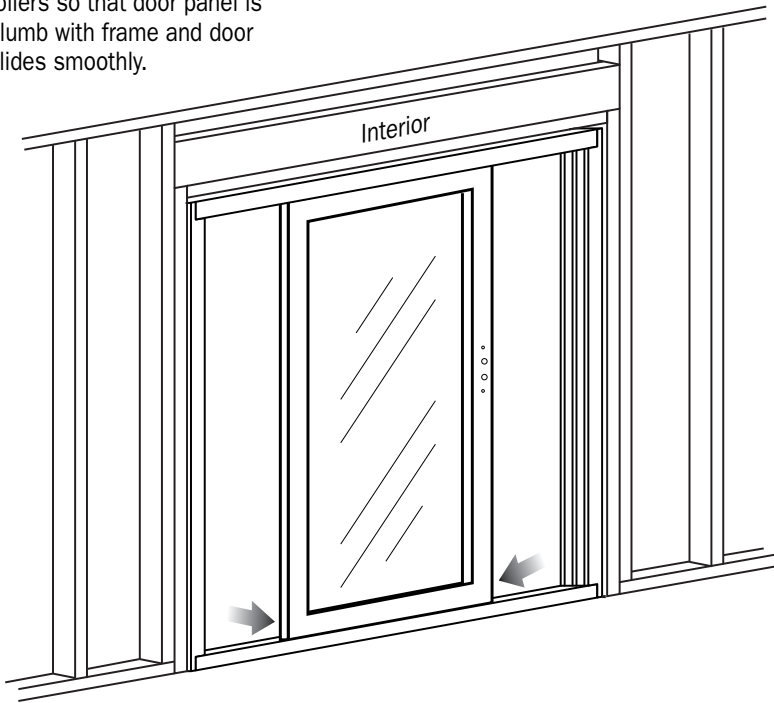
# Installation Instructions

---

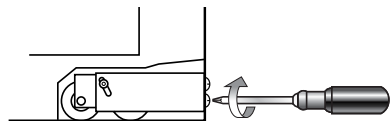
## Step 7

### Adjust moving panel rollers.

Lift door panel slightly to minimize weight on rollers. Turn lower screws to adjust rollers so that door panel is plumb with frame and door slides smoothly.



Lower Rollers



Raise Rollers



1-800-746-6704

[reliabil.atriumwindows.com](http://reliabil.atriumwindows.com)

## **Reversing Panel Instructions** 2-Panel Patio Door

For installation of patio door, please reference full installation instructions for your door.