



# SERIES 83 POCKET SLIDING PATIO DOOR

## STANDARD FEATURES

- Virtually maintenance-free extruded aluminum construction with electrostatically applied finish
- Available in standard and custom sizes up to 12' x 8'
- Available with or without nail fin (shown without)
- Knockdown frame standard with individually packaged panels for ease of handling
- Standard panel widths 2-6, 3-0 or 4-0
- Energy-efficient Warm Edge insulating tempered glass
- Mortise lockset – stylish, functional and adjustable
- Adjustable tandem rollers for a more effortless operation and fine-tuning the fit and operation
- 7 3/8" frame depth

# NEED NEW IMAGES

## GLASS OPTIONS:

Low-E, Low-E<sup>SC</sup>, HP, HP<sup>SC</sup> and obscure

## GRILLE OPTIONS:

Color-coordinated grilles-between-the-glass (GBG) in 5/8" and 3/4" flat

## PRODUCT CONFIGURATION:

Pocket doors can be configured with one panel, two panels or three panels – all operating; independant framing required for side lites, transoms, segmented transoms and a wide selection of architectural shapes.

## COLOR OPTIONS:

White, Adobe Grey, Bronze

## THERMAL PERFORMANCE

	R Value	NFRC CERTIFIED		
		U Factor	SHGC	VT
WARM EDGE				
5/8" Clear	1.33	0.75	0.67	0.70
5/8" Low-E	1.59	0.63	0.32	0.59
5/8" Low-E <sup>SC</sup>	1.61	0.62	0.25	0.46
5/8" HP Glass	1.75	0.57	0.32	0.59
5/8" HP <sup>SC</sup> Glass	1.75	0.57	0.25	0.46

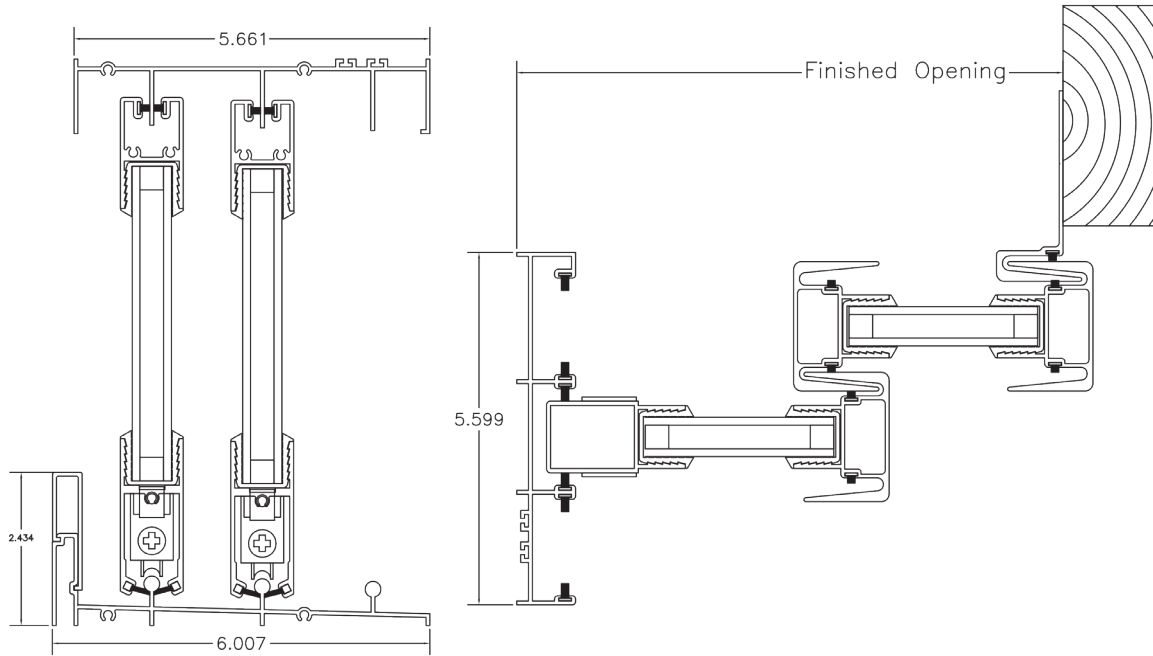
All units are NAMI certified and rated in accordance with NFRC 100/200 standards by an AAMA accredited lab. Performance values reflect the performance of units tested with the following configuration: 5/8" IGU, 3mm glass and no grilles.

R VALUE: Restrictive ambient air flow; U FACTOR: Rate of heat loss; SHGC: Solar Heat Gain Coefficient; VT: Visible Transmittance

# RELIABILT® SERIES 83 POCKET SLIDING PATIO DOOR

## CROSS SECTIONS

### 83 XXP SD L2 Pocket Door



### 83 XXXP SD L3 Pocket Door

