

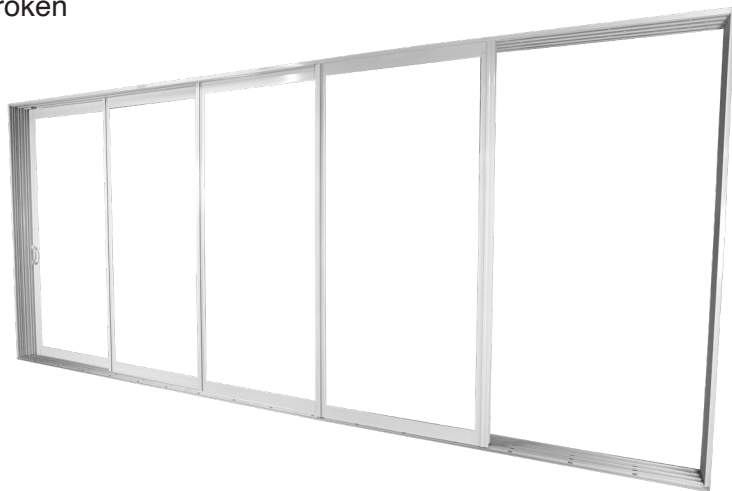


SERIES 85

POCKET & BYPASS SLIDING PATIO DOOR

STANDARD FEATURES

- Virtually maintenance-free extruded aluminum thermally-broken construction with electrostatically applied finish
- Available in standard and custom sizes up to 16' x 8'
- Knockdown frame standard with individually packaged panels for ease of handling
- Standard panel widths 2-6, 3-0 or 4-0
- Standard energy-efficient Warm Edge spacer or optional Warm Edge Plus spacer
- Mortise lockset – stylish, functional and adjustable
- Adjustable tandem rollers for a more effortless operation and fine-tuning the fit and operation
- Optional Impact-Resistant glass



GLASS OPTIONS:

Low-E, Low-E^{SC}, Low-E2+, Low-E^{SC}2+, HP, HP^{SC}, HP2+, HP^{SC}2+

GRILLE OPTIONS:

Color-coordinated grilles-between-the-glass (GBG) in 5/8" and 3/4" flat

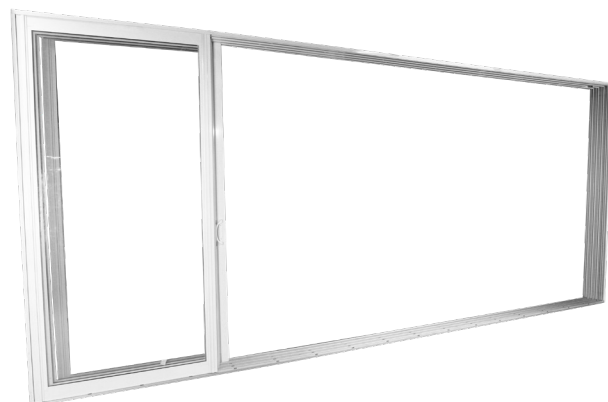
PRODUCT CONFIGURATION:

Pocket doors can be configured with one, two, three, or four panels – all operating. Bypass doors can be configured with two, three or four panels for multi-slide configurations.

Independant framing required for side lites, transoms, segmented transoms and a wide selection of architectural shapes.

COLOR OPTIONS:

White, Adobe Grey, Bronze, Black



THERMAL PERFORMANCE

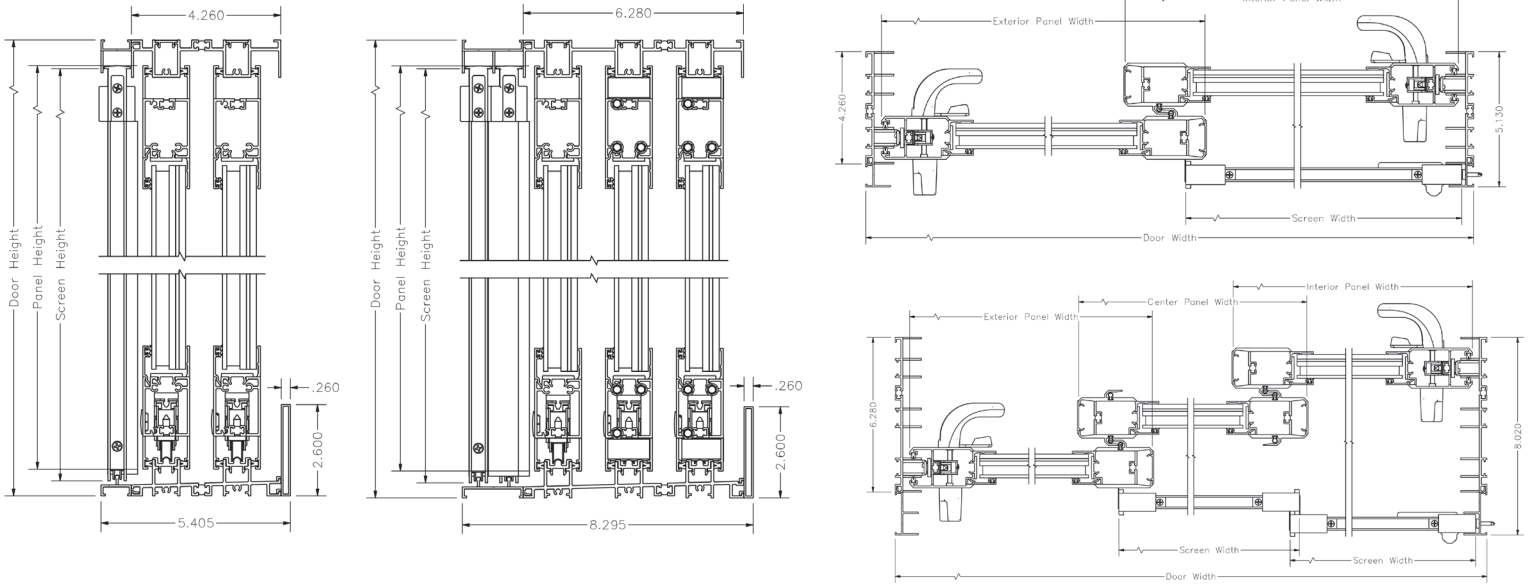
R Value	NFRC CERTIFIED			
	U Factor	SHGC	VT	
WARM EDGE				
5/8" IGU Clear	1.67	0.60	0.61	0.62
5/8" IGU Low E	2.13	0.47	0.29	0.53
5/8" Low-E ^{SC}	2.17	0.46	0.23	0.53
5/8" IGU Low E 2+	2.38	0.42	0.28	0.51
5/8" IGU Low E ^{SC} 2+	2.38	0.42	0.22	0.40
5/8" IGU HP	2.33	0.43	0.29	0.53
5/8" IGU HP ^{SC}	2.33	0.43	0.22	0.42
5/8" IGU HP 2+	2.50	0.40	0.28	0.51
5/8" IGU HP ^{SC} 2+	2.56	0.39	0.21	0.40

All units are NAMI certified and rated in accordance with NFRC 100/200 standards by an AAMA accredited lab. Performance values reflect the performance of units tested with the following configuration: 3/4" IGU, 3mm glass and no grilles.

R VALUE: Restrictive ambient air flow; U FACTOR: Rate of heat loss; SHGC: Solar Heat Gain Coefficient; VT: Visible Transmittance

RELIABILT® SERIES 85 POCKET & BYPASS SLIDING PATIO DOOR

BYPASS CROSS SECTIONS



POCKET CROSS SECTIONS

