

## 3900 Double Hung Window

### Features:

- Warm-edge spacer system
- 3/4" Constant force coil balance system
- Exclusive InsulKor™ reinforcement for improved performance
- 4 1/4" frame thickness
- External accessory groove accommodates optional nail fin
- Half screen
- 3.25" Jamb depth
- Transferable limited lifetime warranty; lifetime glass breakage warranty
- DP 60 rating (window size tested 36 x 74)

### Custom Options:

- Low-E Glass
- Ultra Low-E Glass with Argon Gas
- Triple-pane, R-5 compliant glass panels
- Super Spacer® sealant system for optimal thermal performance (standard with triple-pane option)
- Nail fin accessory for use in remodeling or new construction applications (factory applied)
- 1 1/8" simulated divided lite (SDL) grid
- 5/8" or 1" contoured, or 5/8" or 3/4" flat or diamond grid, 5/8" contoured valance available
- Obscure, tempered or double-strength glass
- Three interior wood laminates (white exterior only)
- Nine exterior painted colors (white interior only)
- Additional lock colors

### Product Performance:

AAMA 101 Results:

Window Size	AAMA Rating (psf)	Air (cfm/ft <sup>2</sup> )	Water (psf)
48" x 78" (X/X)	LC30	0.08	9.19
44" x 74" (X/X)	LC45	0.08	9.19
36" x 74" (X/X)	LC60	0.08	9.19
109" x 74" (X/X – X/X – X/X Finless Muller Triple)	LC50	0.18	9.19
72" x 108" (O / (X/X – X/X) Finless Twin Stack)	LC40	0.15	9.19



\*2014 rating in a leading consumer magazine

### Acoustic Results:

Glazing	STC
3/32", 9/16" Airspace, 3/32"	26
1/8", 1/2" Airspace, 1/8"	27
3/32", 9/16" Argon, 3/32", 1/4" Argon, 3/32"	29
1/8", 9/16" Argon, 1/8", 1/4" Argon, 1/8"	29

### Product Dimensions:

Vinyl Wall Thickness:	0.065"
Typ. Glass Thickness:	0.750"
Max Glass Thickness:	1.125"
Jamb Depth:	3.250"
Mullion Adder:	0.5"

### Rough Opening:

Window Width + 1/4"
Window Height + 1/4"

### Size Restrictions:

	Min:	Max:
Width	17 3/4"	54"
Height	26"	91"

(Max. United Inches 126")



## 3900 Double Hung Window

### Egress Formulas:

Egress Width  $\geq 20"$  and Egress Height  $\geq 24"$  and Egress Area  $\geq 5.7 \text{ ft}^2$  required to meet egress.

Egress Width Formula = Window Width - 5.8125"

Egress Height Formula = (Window Height/2) - 7.3750" (1 Coil)  
 (Window Height/2) - 8.5625" (2 Coils)  
 (Window Height/2) - 9.7500" (3 Coils)  
 (Window Height/2) - 10.9375" (4 Coils)

Egress Area Formula = (Egress Width x Egress Height)/144

### Screen Formulas:

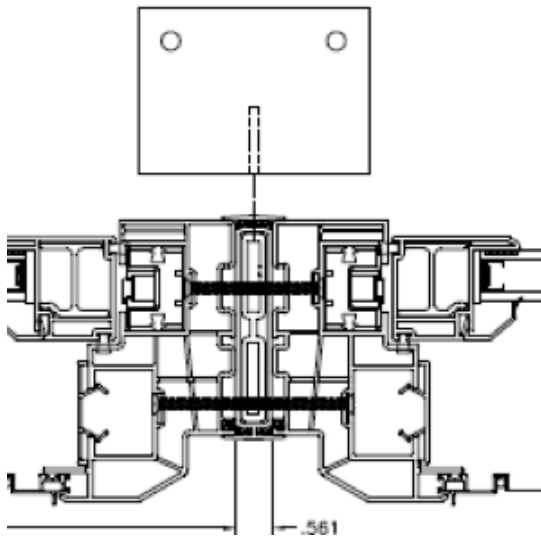
Window Width - 5.0000" (Full Screen)

Window Height - 3.3125" (Full Screen)

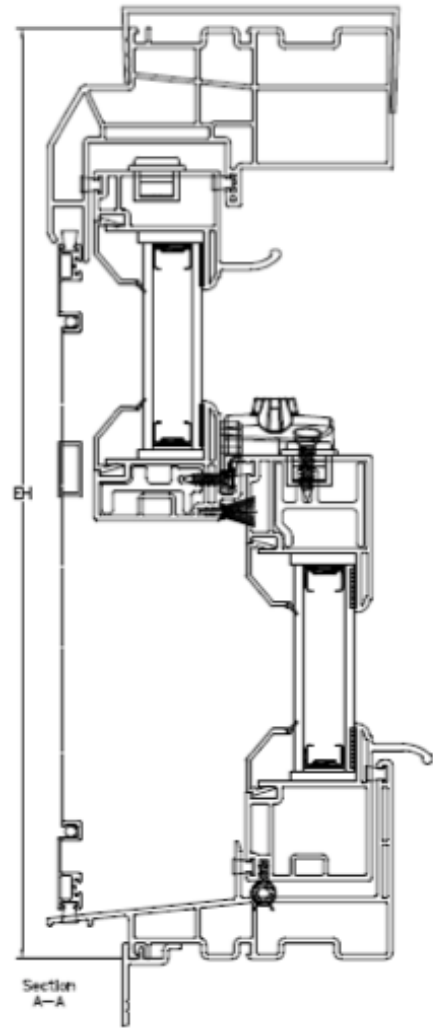
Window Width - 4.9375" (1/2 Screen)

(Window Height/2) + 0.1875" (1/2 Screen)

### Mullion Assembly:



### Cross Sections:



### Nail Fin Applied:

