

# Series 150

## High Performance Vinyl

### Mullion Installation:

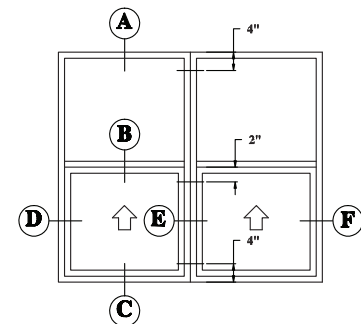
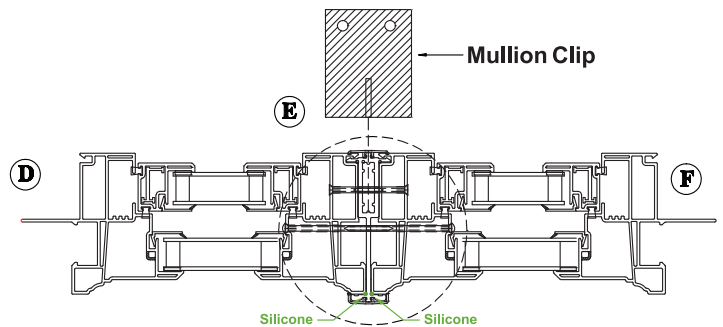
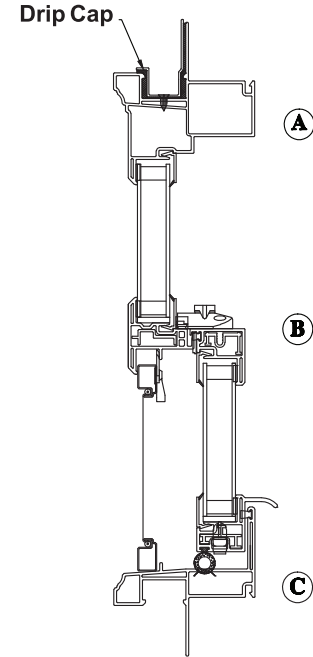
RB Series 150  
72 inch White HP Mull Kit

ITEM/ARTÍCULO # 739589

MODEL/MODELO #739589



1. Determine inside and outside of windows to be mullied.
2. Remove opposing nail fins on the vertical jamb profiles.
3. Place windows side by side in a vertical position. This can also be done with the window exterior face down.
4. Apply large, continuous beads of silicone sealant to the windows in the locations indicated in the cross-section.
5. Snap the aluminum mullion into the first window. Then snap in the second window until they are firmly attached.
6. Apply silicone sealant on the inner faces of the inside and outside mullion covers so as to provide a tight seal when assembled.
7. Snap on inside and outside mullion covers onto the attached mullion on either window, as shown in the assembly drawings.
8. In the center of each balance pocket at the head, 4" from the top, screw through the frame and into the mullion using #8 x 1.25" PFH self-tapping fasteners. Make sure the screw is flush with the vinyl to prevent balance interference. Offset the screws on both sides to avoid fastener interference.
9. Raise the sash open and repeat this process 2" below the center of the fixed meeting rail.
10. In the position indicated on the cross-section, 4" from the bottom, screw through the frame and into the mullion using #8 x 2.5" PPH self-tapping fasteners. Offset the screws on both sides to avoid fastener interference.
11. At the head, fill in the gap created by the mull with silicone sealant.
12. Place the drip cap profile into the j-channel on top of this sealant. Seal all edges of the drip cap and screw it down on both sides with #6 x 3/8" PPH screws.
13. Seal all fastener heads with silicone sealant to prevent leakage.



Note: The fabricated mullion clips provided are required to achieve certain size/performance numbers for some mullied configurations (2 per mull). They are not required for every configuration. Refer to AAMA test reports for more details. The extension leg of each clip is inserted into the hollow of the mullion. These are applied in the field at the head and sill and connect the window to the wooden buck. Each clip is attached to the buck with 2 #8 x 1.5" PFH wood screws.

Mull kits are designed to help attach single window units to one another horizontally. Assembly is the responsibility of the installer and manufacturer assumes no liability due to improper assembly and/or installation of mullied unit(s).