

Series 150 Vinyl

Mullion Installation:

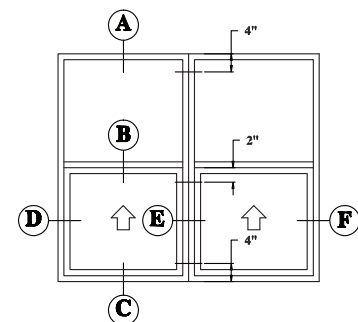
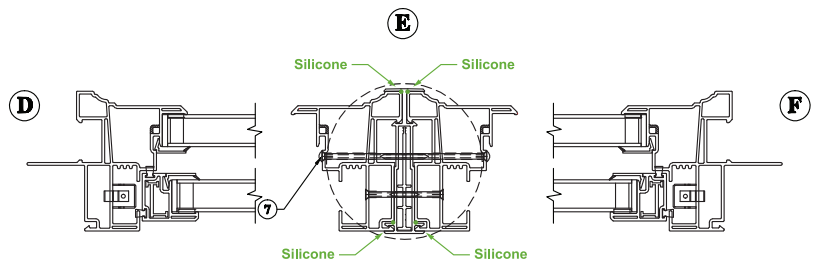
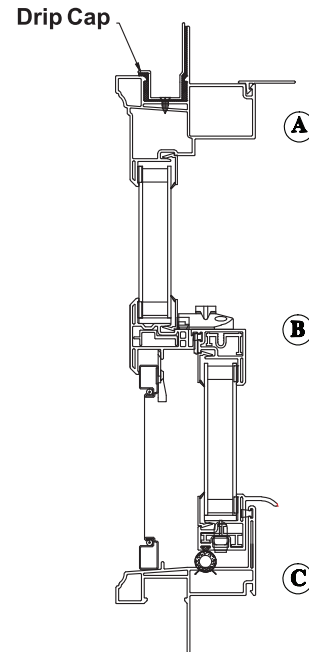
RB Series 150
72 inch White Mull Kit

ITEM/ARTÍCULO # 739596

MODEL/MODELO #739596



1. Determine inside and outside of windows to be mullied.
2. Remove opposing nail fins on the vertical jamb profiles.
3. Place windows side by side in a vertical position. This can also be done with the window exterior face down.
4. Apply large, continuous beads of silicone sealant to the windows in the locations indicated in the cross-section.
5. Snap the fabricated vinyl mullion into the first window. Then snap in the second window until they are firmly attached.
6. Slide the aluminum reinforcement into the cavity of the vinyl mullion until it is flush with the top and bottom of the mull. Use the orientation shown in the cross-section above.
7. In the center of each balance pocket at the head, 4" from the top, screw through the frame, through the mullion, and into the reinforcement using #8 x 1.25" PFH self-tapping fasteners. Make sure the screw is flush with the vinyl to prevent balance interference. Offset the screws on both sides to avoid fastener interference.
8. Tilt the sash open and repeat this process 2" below the center of the fixed meeting rail.
9. Tilt the sash closed and open it to its fullest extent (the sash could also be removed for the mulling process).
10. In the position indicated on the cross-section, 4" from the bottom, screw through the frame, through the mullion, and into the reinforcement using #8 x 2.5" PPH s
11. At the head, fill in the gap created by the mull with silicone sealant.
12. Place the drip cap profile into the j-channel on top of this sealant. Seal all edges of the drip cap and screw it down on both sides with #6 x 3/8" PPH screws.
13. At the sill, fill in the gap created by the mull from the nail fin to the interior of the window. This should not be a water-tight seal to allow mullion weepage.
14. Seal all fastener heads with silicone sealant to prevent leakage.



Mull kits are designed to help attach single window units to one another horizontally. Assembly is the responsibility of the installer and manufacturer assumes no liability due to improper assembly and/or installation of mullied unit(s).