

Series 85 Aluminum

Mullion Installation:

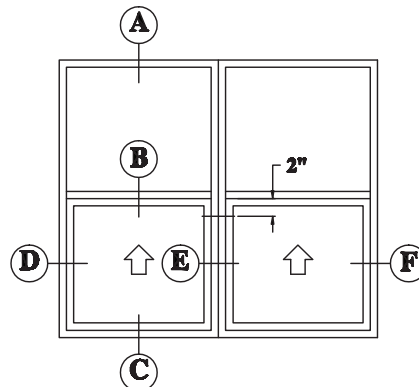
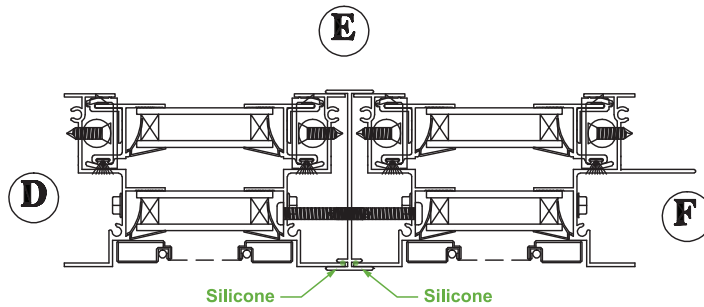
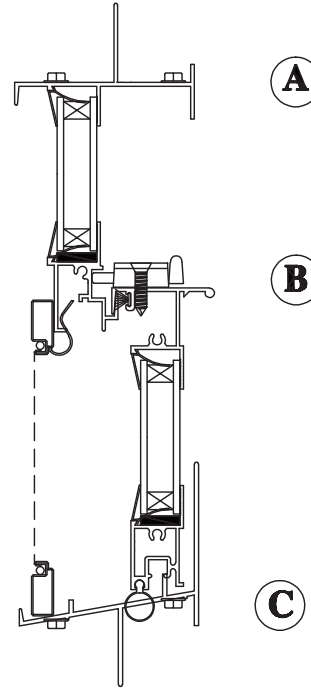
RB Series 85
60 inch Bronze Mull Kit

ITEM/ARTÍCULO # 752885

MODEL/MODELO # 752885



1. Remove the Nailing Fins along the jambs of the Single Hungs being mullied.
2. Apply large, continuous beads of silicone sealant to the windows in the locations indicated on the cross-section.
3. Position the aluminum mullion between the window frames as shown in diagram.
4. Install #8 x 1-1/4" self-tapping screws through the jambs 2" below the fixed meeting rail.
5. At the head, fill in the gap created by the mull with silicone sealant.
6. Seal all fastener heads with silicone sealant to prevent leakage.



Mull kits are designed to help attach single window units to one another horizontally. Assembly is the responsibility of the installer and manufacturer assumes no liability due to improper assembly and/or installation of mullied unit(s).